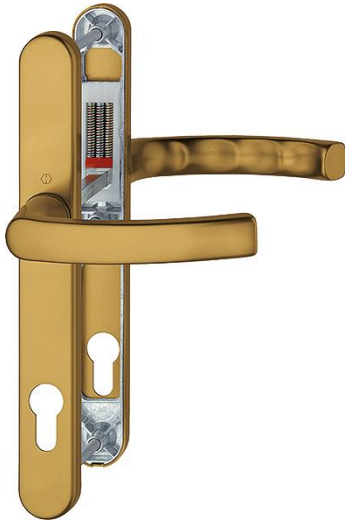


Product data sheet

Liège

1540/3347N

duraplus[®]



Quick-Fit

Article number	11750534
EAN-Code	4012789884784
Country of origin	Germany
CN-Code	83024110
Door thickness	72-82 mm
Spindle size	8 mm
Spindle length	
(Key)Hole size	Euro profile cylinder
Key hole distance	92 mm
Screws	thread screws
Finish	F4 aluminium bronze effect
Range	Core Product Range
Packing unit	1
Outer carton	20

HOPPE aluminium handle set on narrow backplate for profile doors:

- Bearing: loose door handles, spring cassettes, maintenance-free slide bearing
- Connection: **HOPPE Quick-Fit connection** with HOPPE solid spindle (receiver - receiver components)
- Base: zamak, supporting lugs
- Fixing: concealed, bolt-through, M6 thread screws

