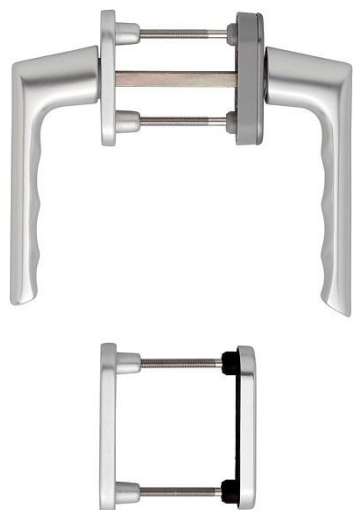


# Product data sheet

## Brest

duraplus<sup>®</sup>

0739/66N/U26/0739/66NS/49PNS



|                    |                            |
|--------------------|----------------------------|
| Article number     | 2272173                    |
| EAN-Code           | 4012789898255              |
| Country of origin  | Germany                    |
| CN-Code            | 83024150                   |
| Door thickness     | 63-68 mm                   |
| Diameter lug       | 10 mm                      |
| Spindle size       | 7 mm                       |
| Spindle length     |                            |
| (Key)Hole size     | Euro profile cylinder      |
| Stop position in ° | 90°                        |
| Finish             | F1 aluminium silver effect |
| Range              | Core Product Range         |
| Packing unit       | 1                          |
| Outer carton       | 10                         |

HOPPE aluminium turn/tilt window handle set with escutcheons for French doors:

- Stop-in position: outside: none; inside: 90°
- Escutcheons: outside: cast, inside: nylon base with partial cover cap, supporting lugs
- Spindle: HOPPE solid spindle
- Fixing: concealed, from inside, bolt-through, M5 thread screws

