

## Product data sheet

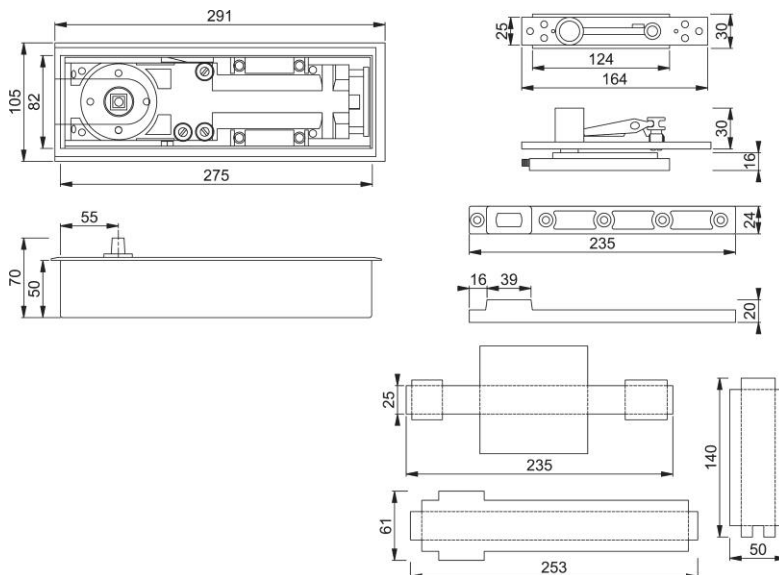
# Plus

AR760



### ARRONE floor spring:

- Power size: 1 to 4 adjustable by spring tension
- Function: Closing, latching speed
- Maximum door width: 1,100 mm
- Maximum door weight: 80 kg
- Suitable for double action doors (supplied complete with accessory pack consisting of adjustable top centre, top and bottom strap)
- Successfully type tested for conformity to all the requirements of **BS EN 1154:1997** - 3 | 8 | 4/1 | 1\* | 1 | 4
- Included in a successful fire test to **BS EN 1634** Part 1. Assessed for use on 30, 60 and 120 minute timber fire doors.
- CE Marked: AD5347
- CPR Declaration of Conformity Certificate: HUK0067



|                     |                               |
|---------------------|-------------------------------|
| Article number      | 5001 1303                     |
| Product ref.        | AR760-DA-SSS                  |
| EAN-Code            | 5051358001459                 |
| Country of origin   | Taiwan                        |
| CN-Code             | 83026000                      |
| Maximum door width  |                               |
| Maximum door weight |                               |
| Mechanism type      |                               |
| Function            | Closing speed, latching speed |
| Action              | Double action swing           |
| Dimensions          | 291x82x50 mm                  |
| Power size          | 1 to 4                        |
| Door weight         | Maximum door mass 80 kg       |
| Door width          | max. 1100 mm                  |
| Opening Angle       | max. 180° opening             |
| Finish              | Satin Stainless Steel         |
| Range               | ARRONE Range                  |
| Packing unit        | 0                             |
| Outer carton        | 0                             |