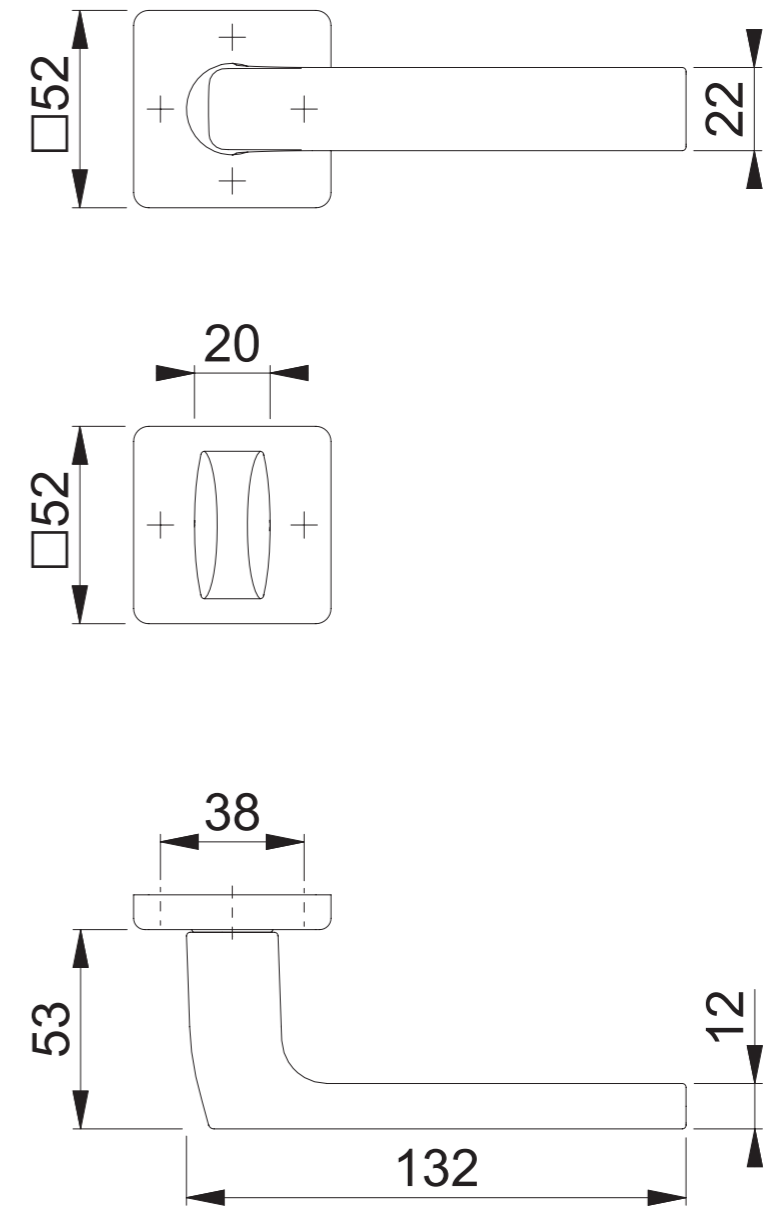
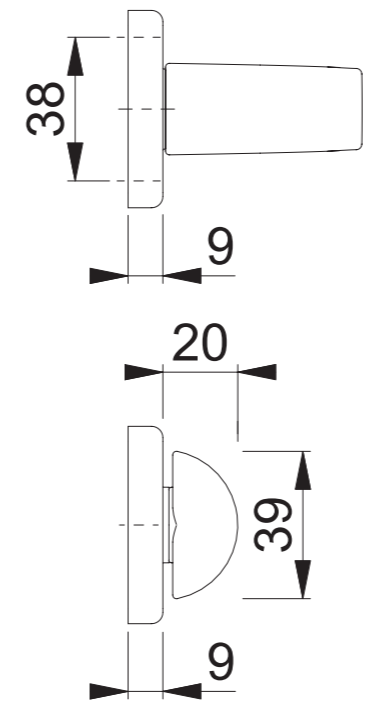
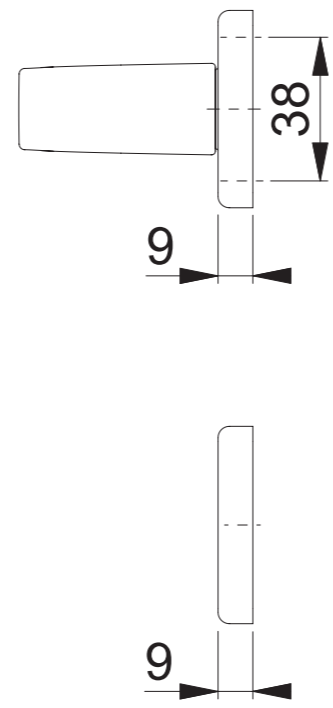
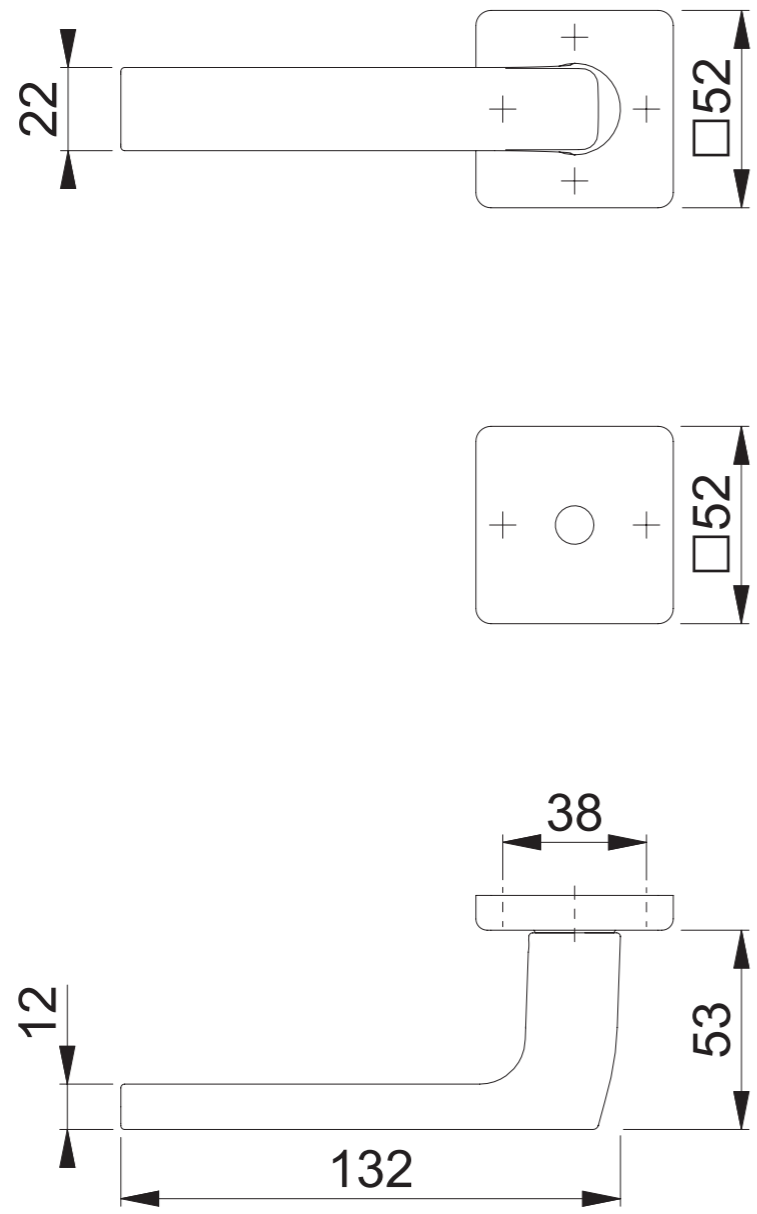


1643/52K/52KS DL/OL (DL02/OL92)



| | | | | |
|----------------|----------------|---------------------|----------------------------------|------|
| Maßstab 1:2 | Name Scholz | Datum 11.09.2012 | Zeichnungsnummer c0022909z000 | A300 |
|----------------|----------------|---------------------|----------------------------------|------|

