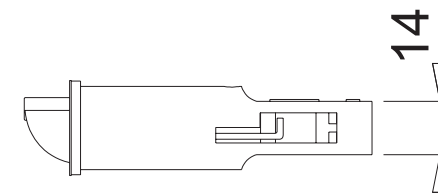
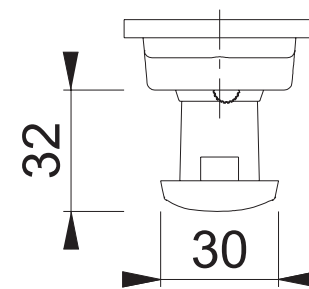
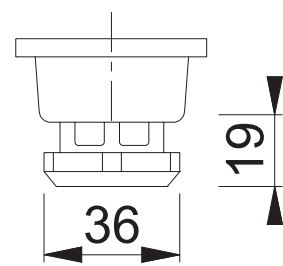
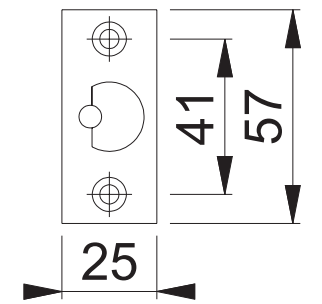
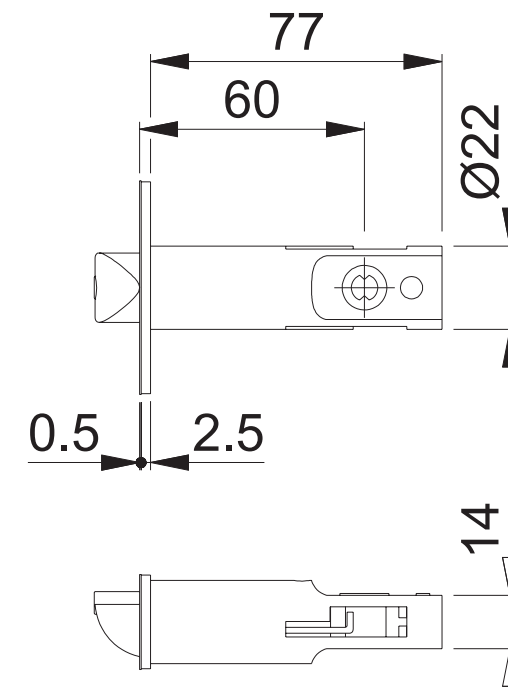
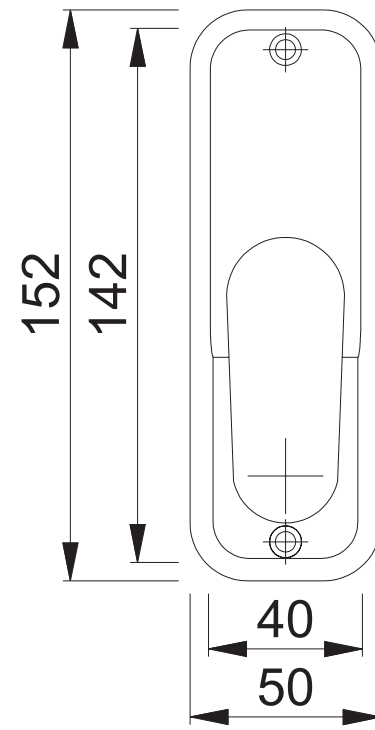
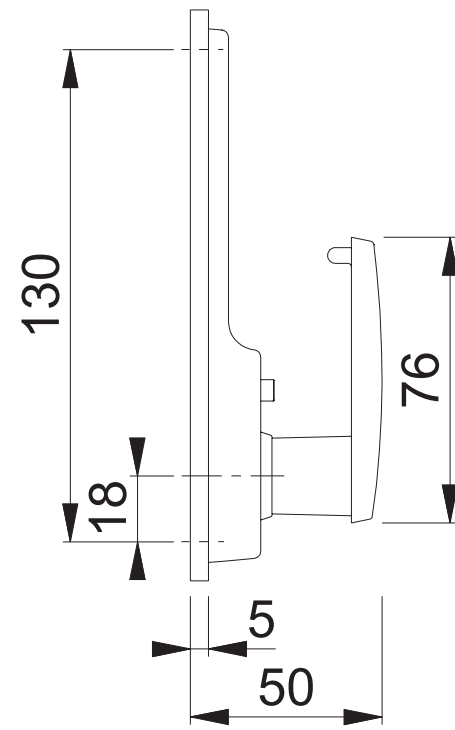
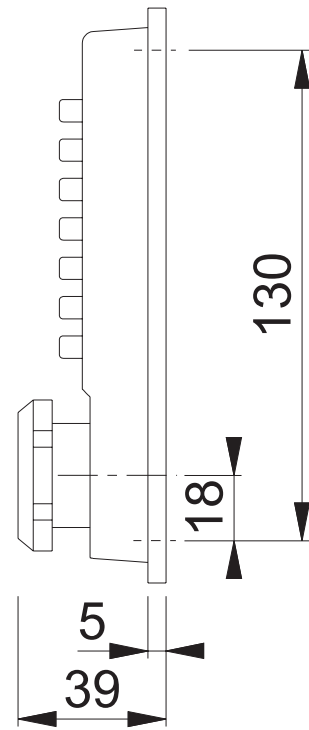
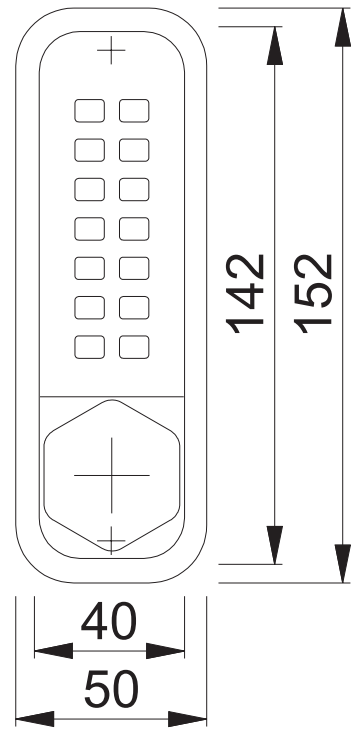


AR/D-195 (Push Button Digital Lock)



These documents are property of HOPPE (UK) LTD, Standeford, Wolverhampton and are protected by both copyright and fair trade law. Any reproduction, reprint, copying, passing on to third parties and whichever use of these documents or parts thereof is prohibited, except with prior written consent of HOPPE.

Scale 1:2	Drawn by J.Renhard	Date 13.05.2015	Drawing No. c0202002z000	ARRONE The Complete Range
--------------	-----------------------	--------------------	-----------------------------	-------------------------------------