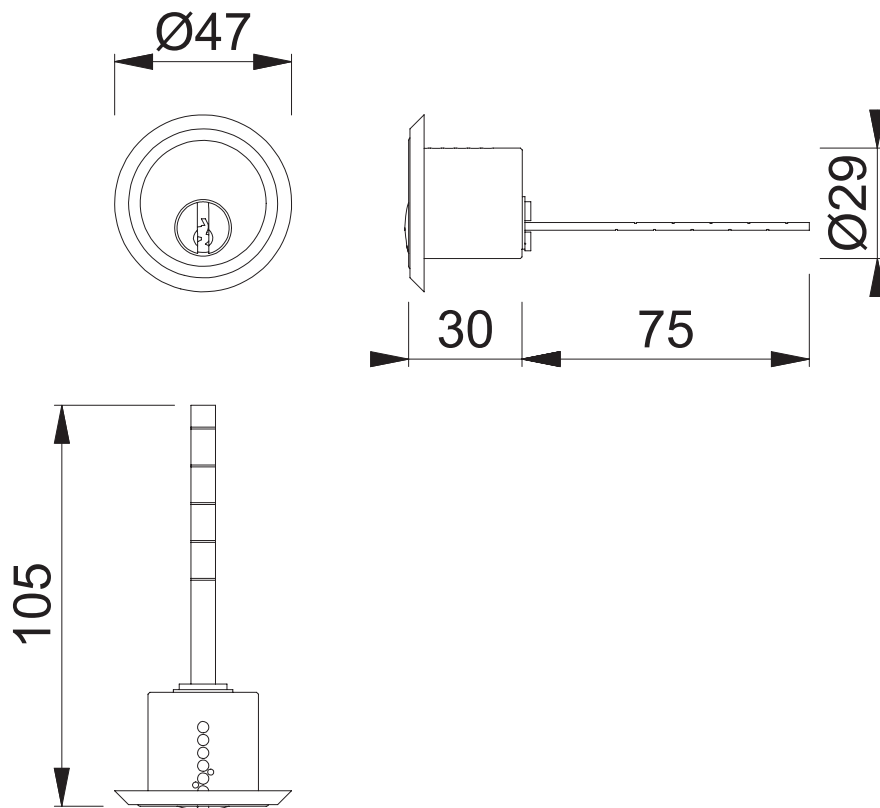


AR-MK-0540-A (Rim Cylinder)



These documents are property of HOPPE (UK), Wolverhampton and are protected by both copyright and fair trade law. Any reproduction, reprint, copying, passing on to third parties and whichever use of these documents or parts thereof is prohibited, except with prior written consent of HOPPE.

Scale 1:2	Name J. Renhard	Date 12.03.15	Drawing No: c1212008g001	ARRONE® The Complete Range
--------------	--------------------	------------------	-----------------------------	--------------------------------------