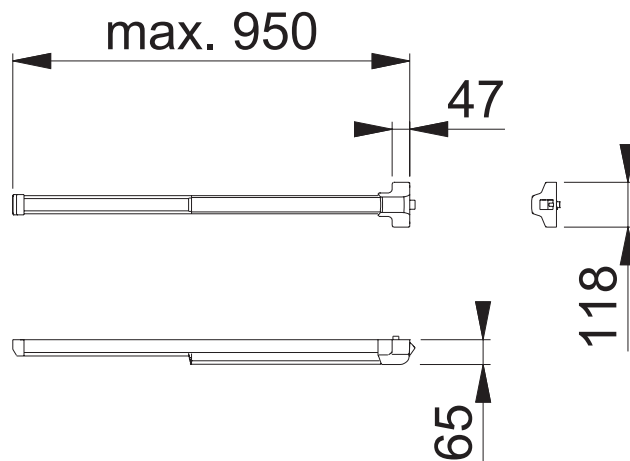


AR/TB-8802 (Reversible Touchbar Panic Latch)



These documents are property of HOPPE (UK), Wolverhampton and are protected by both copyright and fair trade law. Any reproduction, reprint, copying, passing on to third parties and whichever use of these documents or parts thereof is prohibited, except with prior written consent of HOPPE.

Scale
1:20

Name
N.A.Taylor

Date
18.05.15

Drawing No:
c0212012z000

ARRONE
The Complete Range