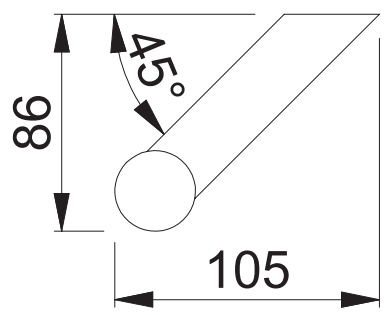
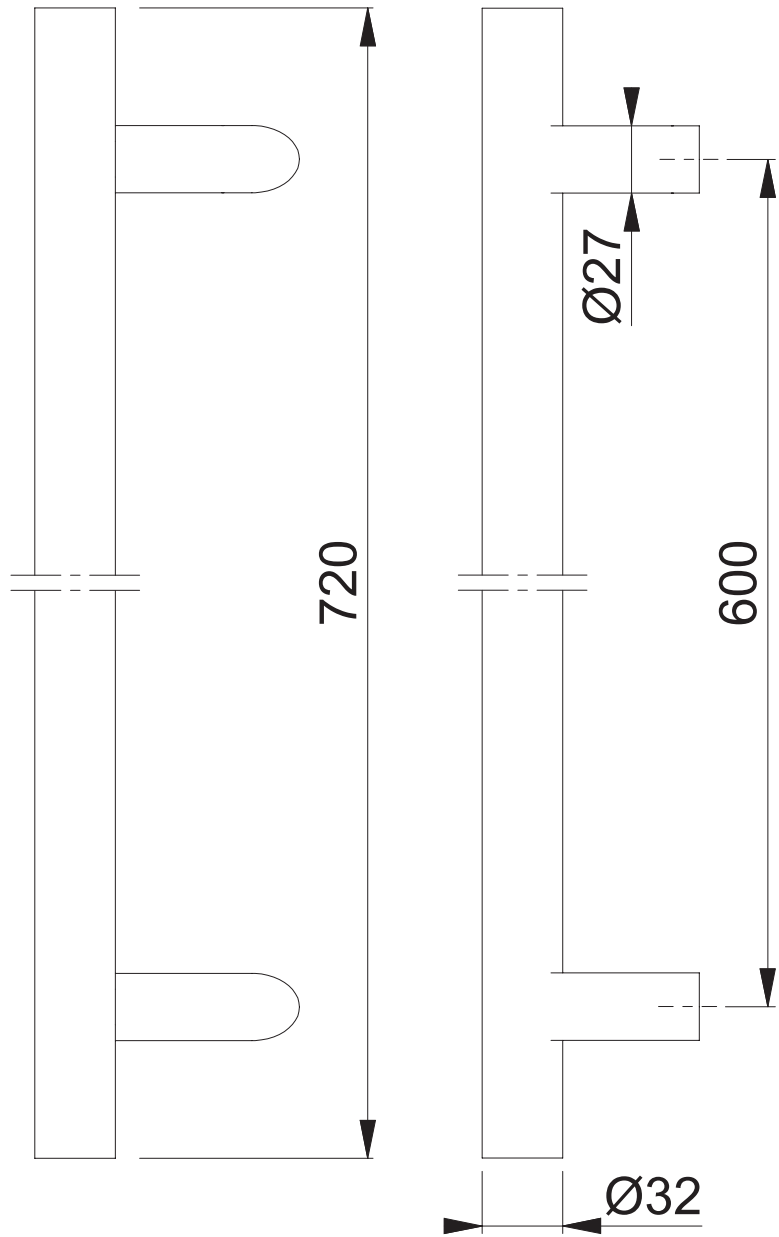


AR3626/600BB-CR (Back-to-Back Cranked Handle)



These documents are property of HOPPE (UK), Wolverhampton and are protected by both copyright and fair trade law. Any reproduction, reprint, copying, passing on to third parties and whichever use of these documents or parts thereof is prohibited, except with prior written consent of HOPPE.

Scale 1:3	Name J. Renhard	Date 18.02.15	Drawing No: c1382091e001	
Updated on 19.02.15 J.Renhard (Product Development)				