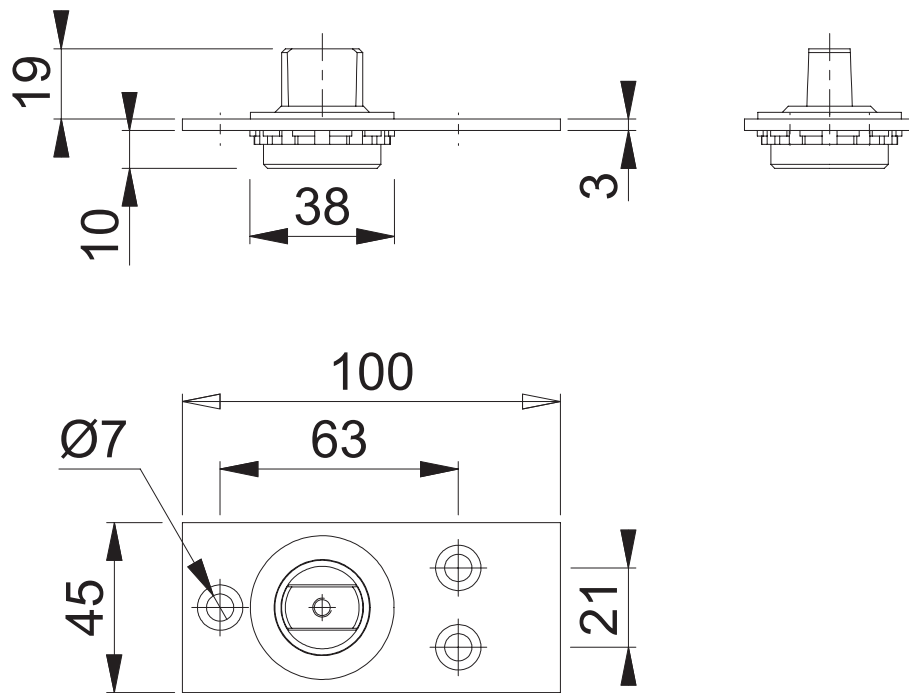


Floor Pivot

Worked on / Date (Advertisement)



Copyright © HOPPE AG

These documents are property of HOPPE (UK) LTD, Wolverhampton and are protected by both copyright and fair trade law. Any reproduction, reprint, copying, passing on to third parties and whichever use of these documents or parts thereof is prohibited, except with prior written consent of HOPPE.

Scale 1:2	Name N.A. Taylor	Date 06.07.17	Drawing No. / Source c6062032g001
--------------	---------------------	------------------	--------------------------------------

Article-Titleblock CAD-database
AR700-P

ARRONE[®]
The complete range.