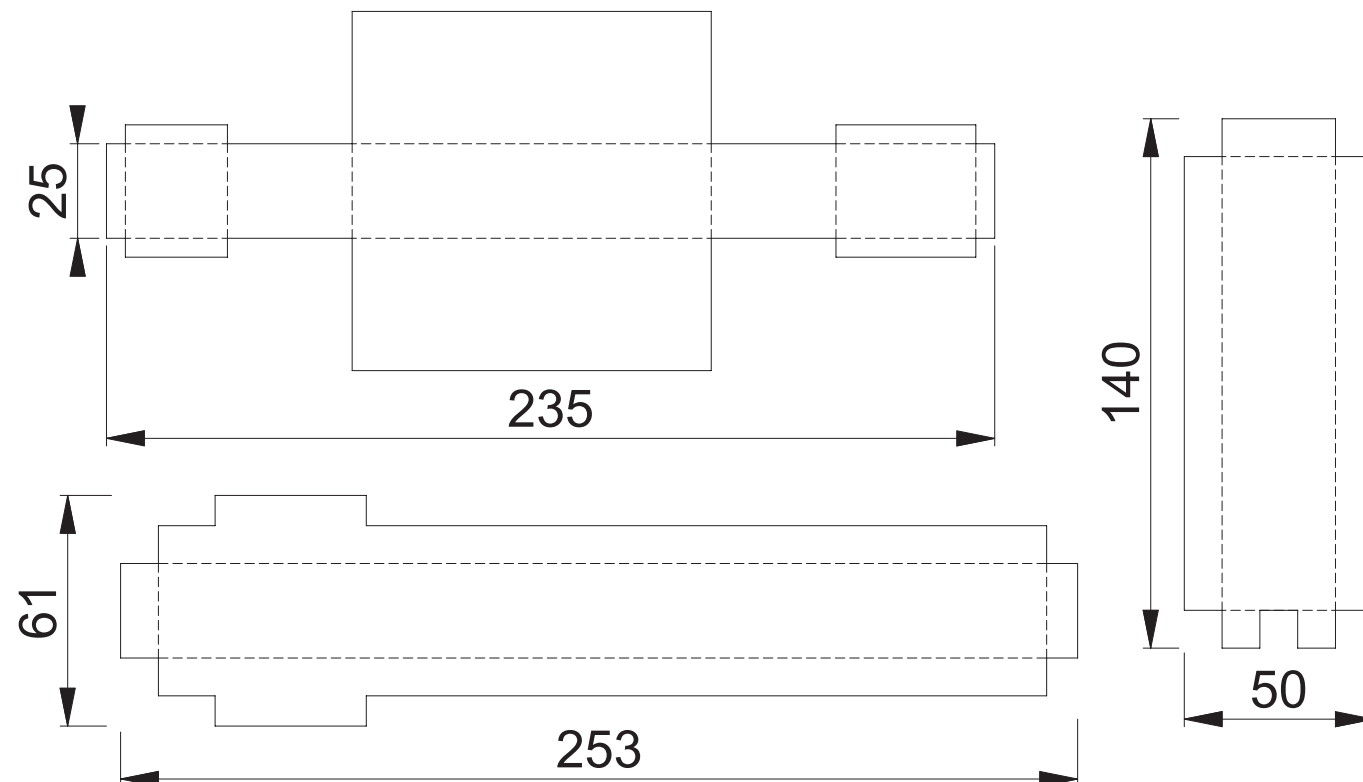
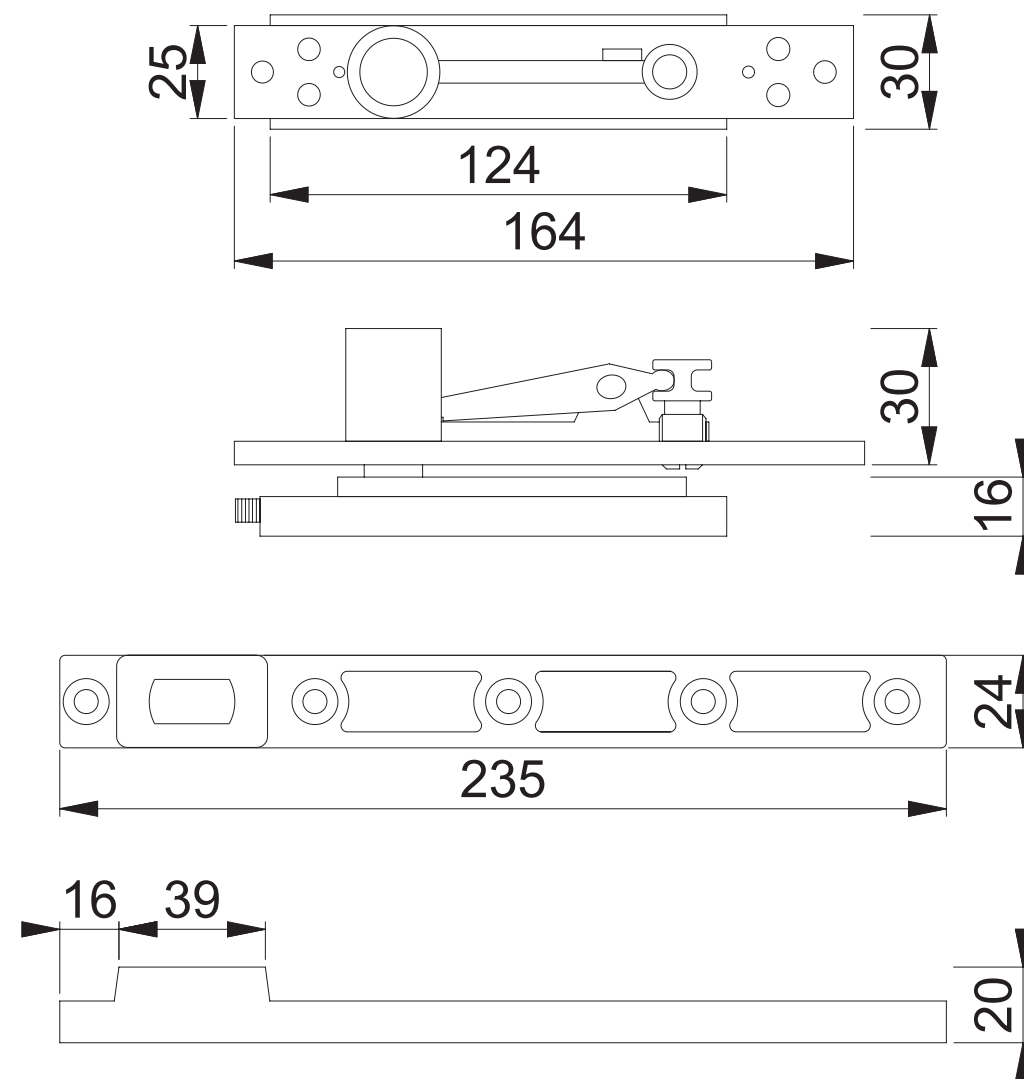
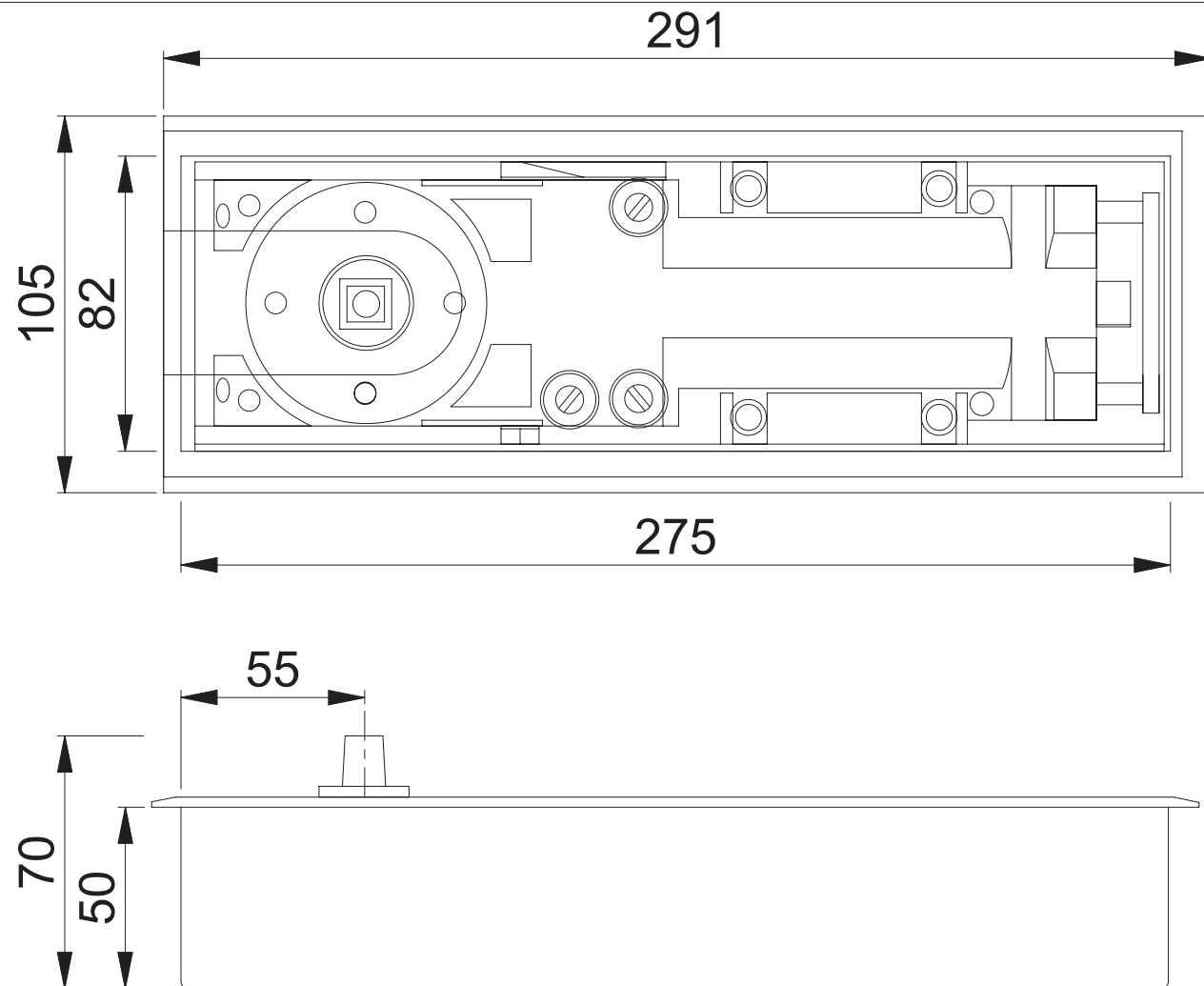


AR760-DA (Power Adjustable Floor Spring 1-4 Double Action)

Worked on / Date (Advertisement)

KKR1/04.02.19



Scale	Name	Date	Drawing No. / Source
1:2	D.Savage	18.01.19	c6062132z000 L300
Article-Titleblock CAD-database			
AR760-DA			

ARRONE
The complete range.

Copyright © HOPPE AG

These documents are property of HOPPE (UK) LTD, Wolverhampton and are protected by both copyright and fair trade law. Any reproduction, reprint, copying, passing on to third parties and whichever use of these documents or parts thereof is prohibited, except with prior written consent of HOPPE.