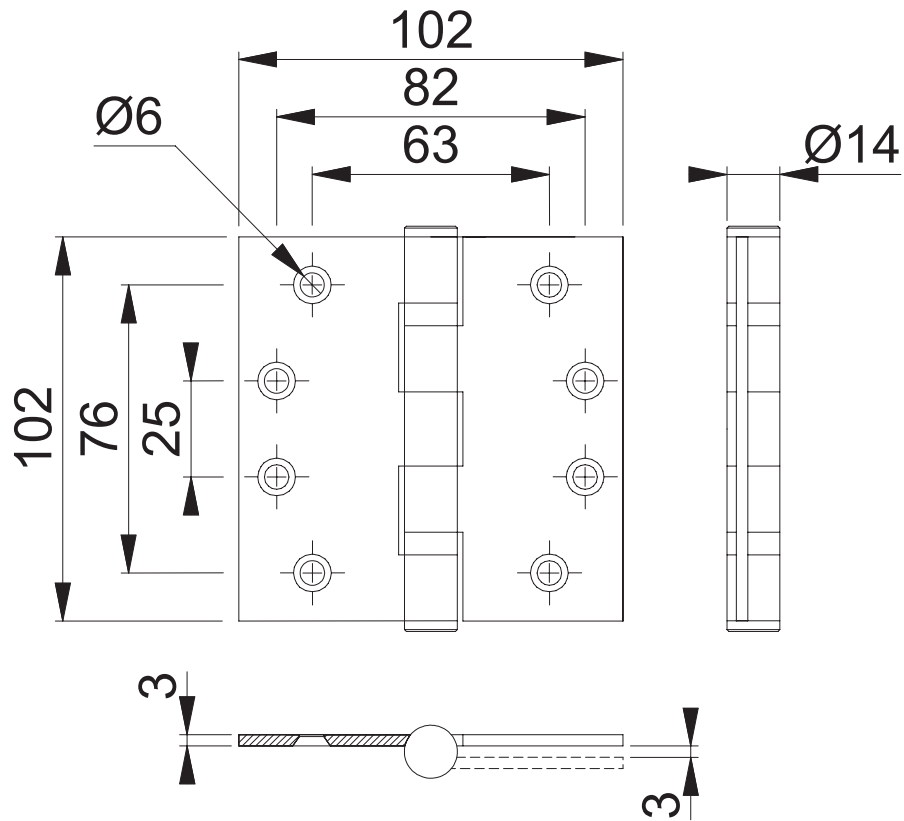


AR8184 (BB Hinge - Square End)



These documents are property of HOPPE (UK), Wolverhampton and are protected by both copyright and fair trade law. Any reproduction, reprint, copying, passing on to third parties and whichever use of these documents or parts thereof is prohibited, except with prior written consent of HOPPE.

Scale 1:2	Name J. Renhard	Date 06.01.15	Drawing No: c0632005z000	
Updated on 15.01.15 N.Taylor (Product Development)				