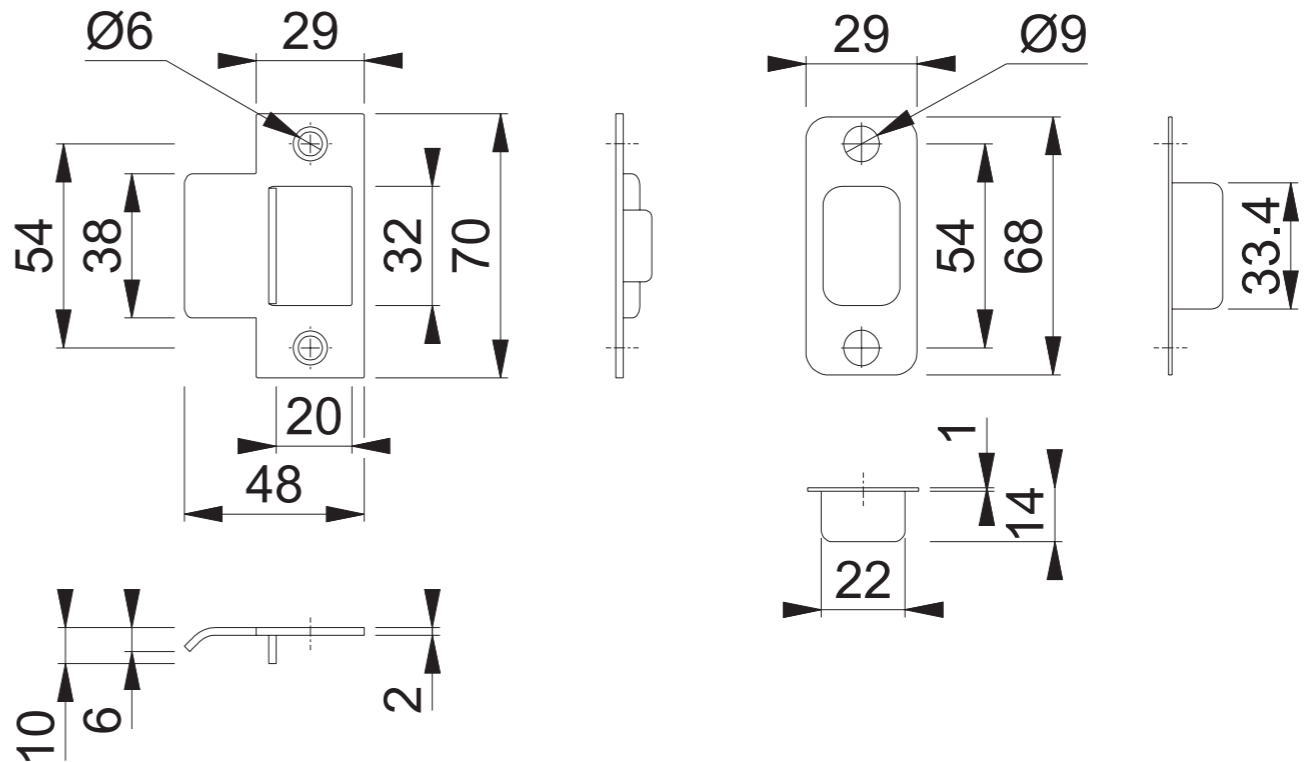
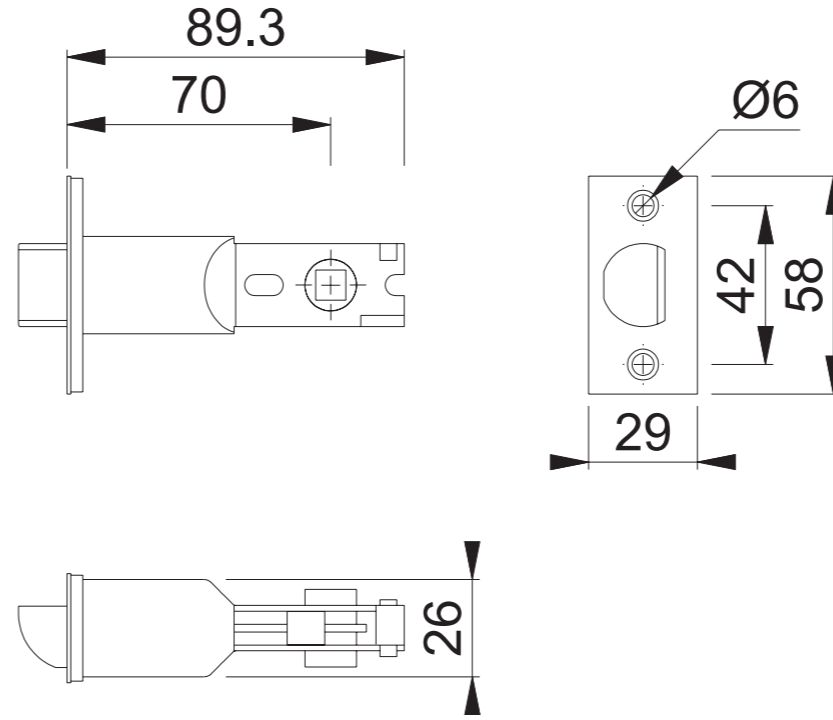
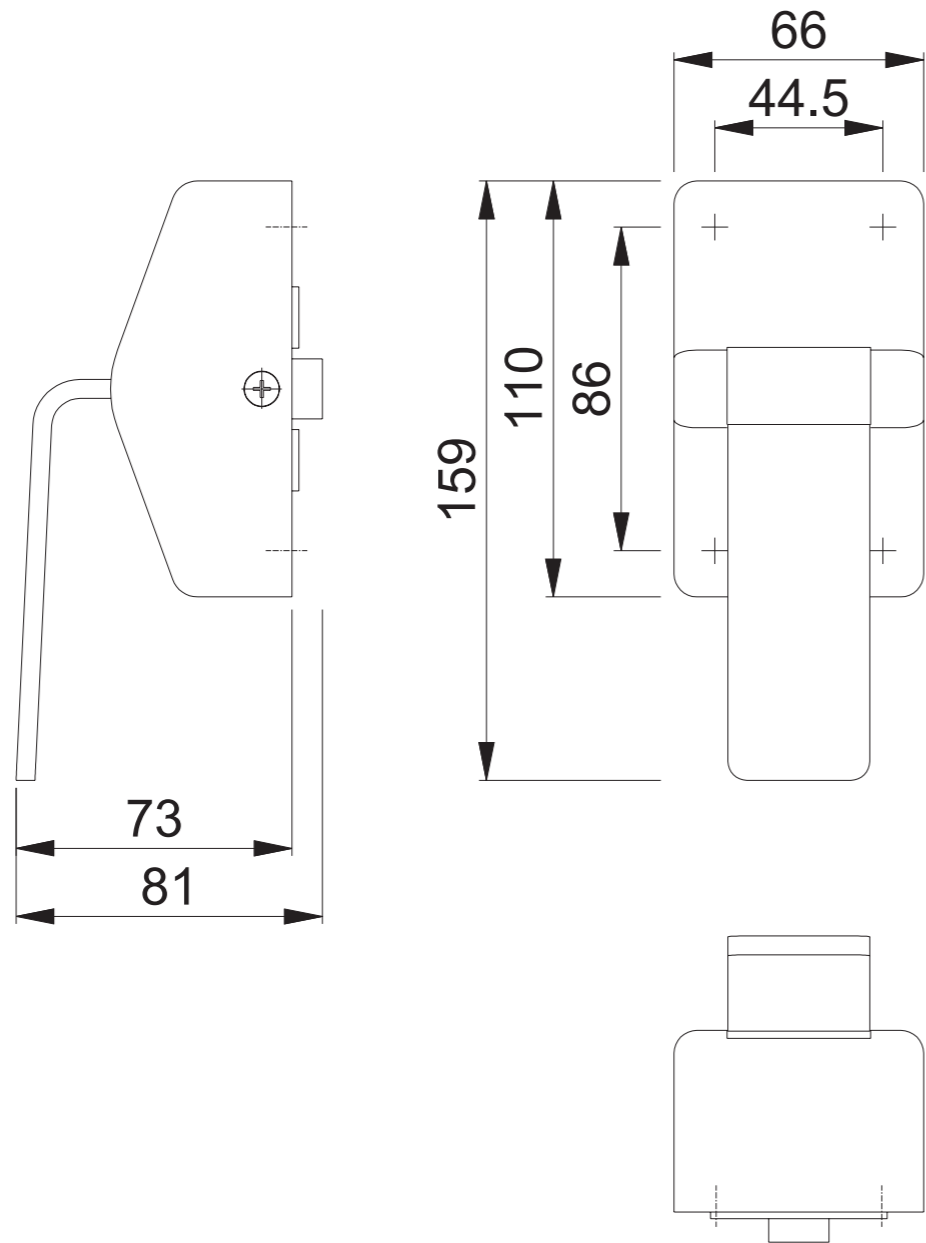


AR9990-01-70-630 (Hospital Latch - 70mm Passage)



These documents are property of HOPPE (UK) LTD, Standeford, Wolverhampton and are protected by both copyright and fair trade law. Any reproduction, reprint, copying, passing on to third parties and whichever use of these documents or parts thereof is prohibited, except with prior written consent of HOPPE.

Scale 1:2	Drawn by N.A.Taylor	Date 23.03.17	Drawing No. c6062006g001 L300	<b>ARRONE</b> The complete range.
--------------	------------------------	------------------	----------------------------------	--------------------------------------