

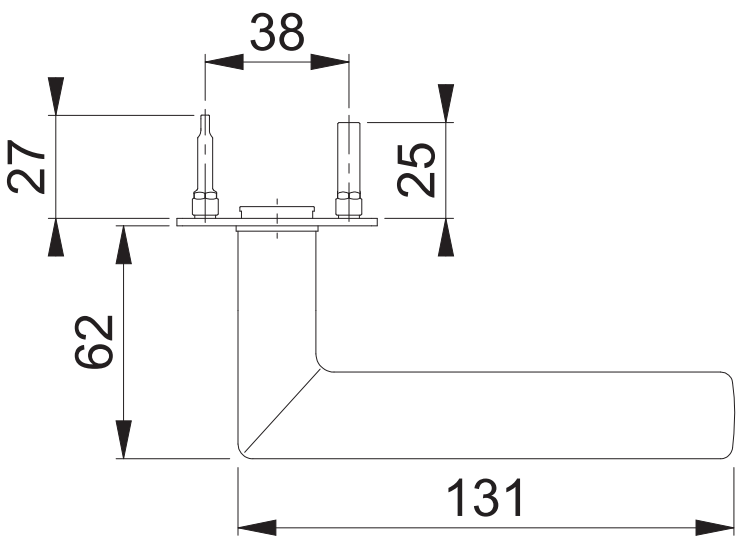
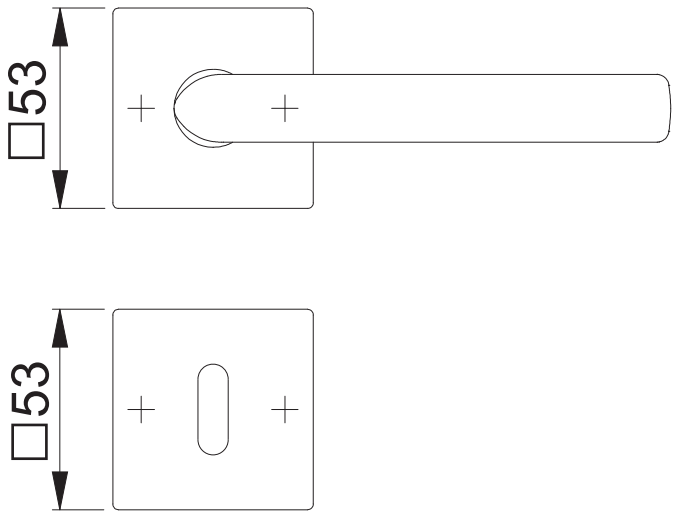
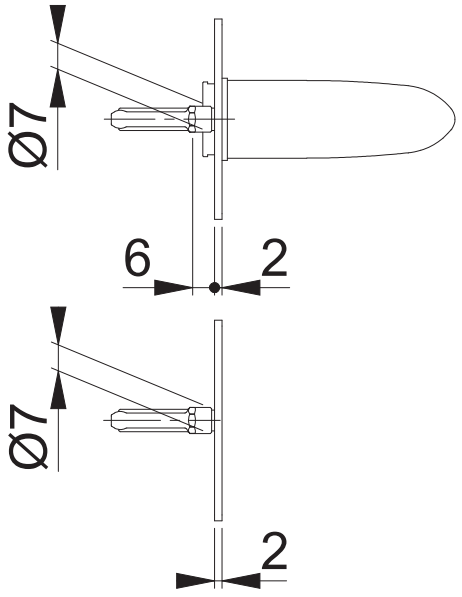
These documents are property of HOPPE AG, D-35260 Stadtlendorf and are protected by both copyright and fair trade law. Any reproduction, reprint, copying, passing on to third parties and whichever use of these documents or parts thereof is prohibited, except with prior written consent of HOPPE.

These documents are property of HOPPE AG, D-35260 Stadtlendorf and are protected by both copyright and fair trade law. Any reproduction, reprint, copying, passing on to third parties and whichever use of these documents or parts thereof is prohibited, except with prior written consent of HOPPE.

Copyright © HOPPE AG

E1140Z/848N/848NS OB

Bearbeitet / Datum
 HHA/09.03.21



Maßstab 1:2	Name ASC5	Datum 10.03.2021	Zeichnungsnummer / Quelle c0023382z000	A4 00
----------------	--------------	---------------------	---	-------

Artikel-Schriftfeld-CAD
 E1140Z/848/848S/848S/848/1140Z SST; ESK41-1/OL28-2

