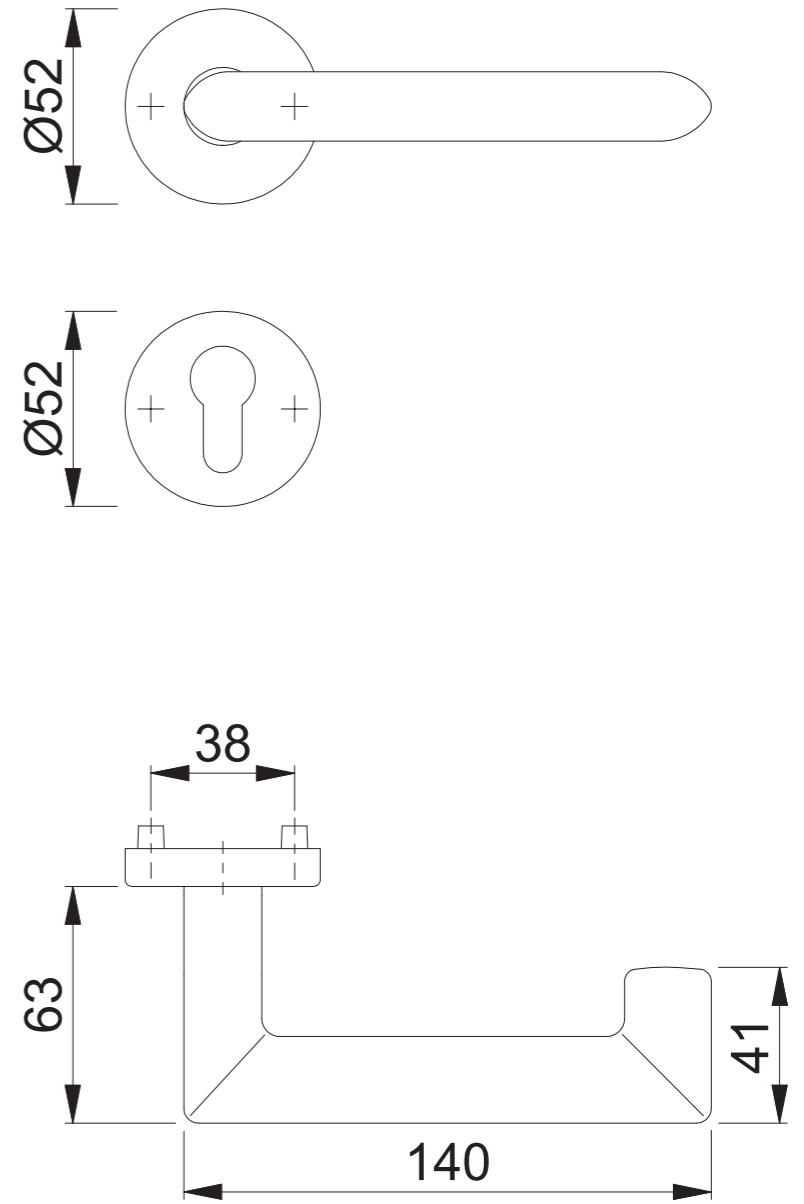
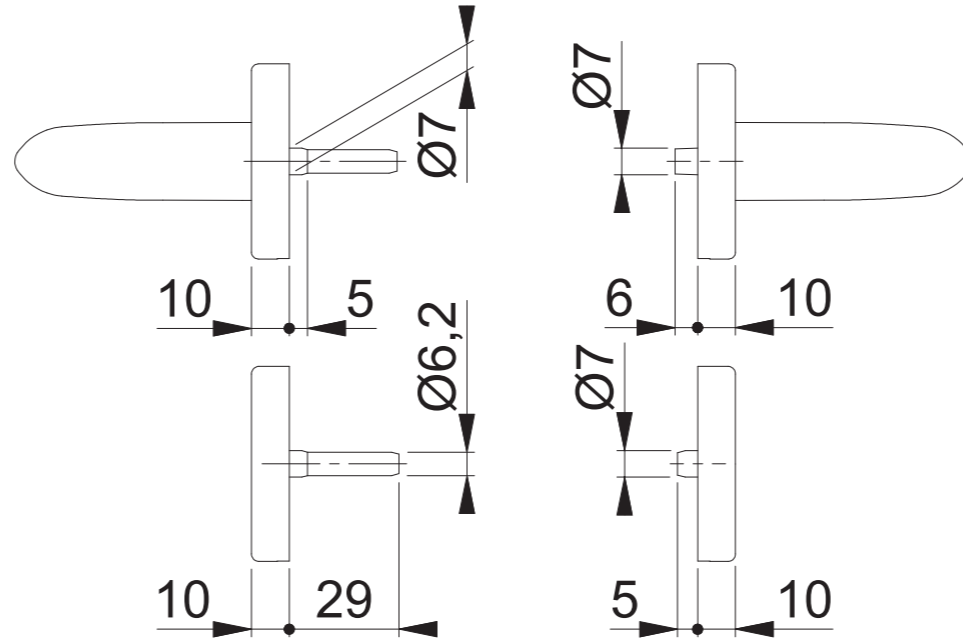
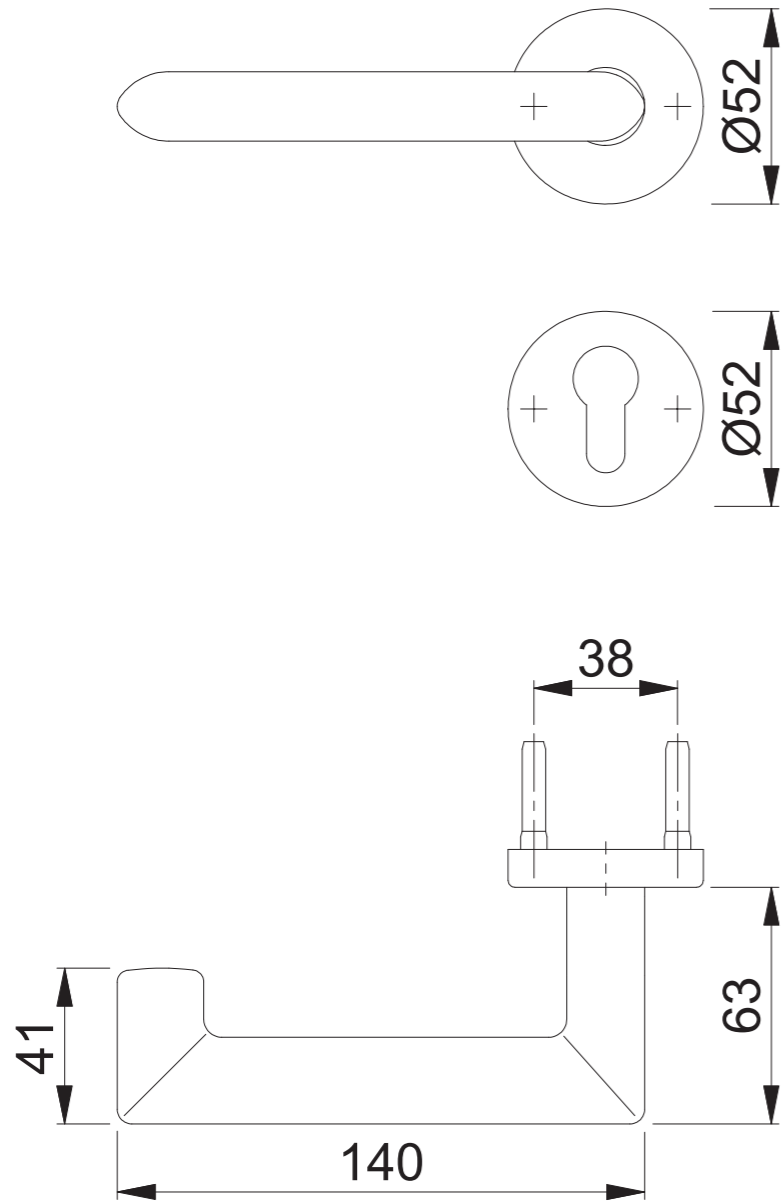



FS-E1141/42H/42HS PZ (E1141F)



Maßstab 1:2	Name Scholz	Datum 03.11.2014	Zeichnungsnummer c0023129z004	A300	HOPPE® 
----------------	----------------	---------------------	----------------------------------	------	----------------------------------------------------------------------------------------------