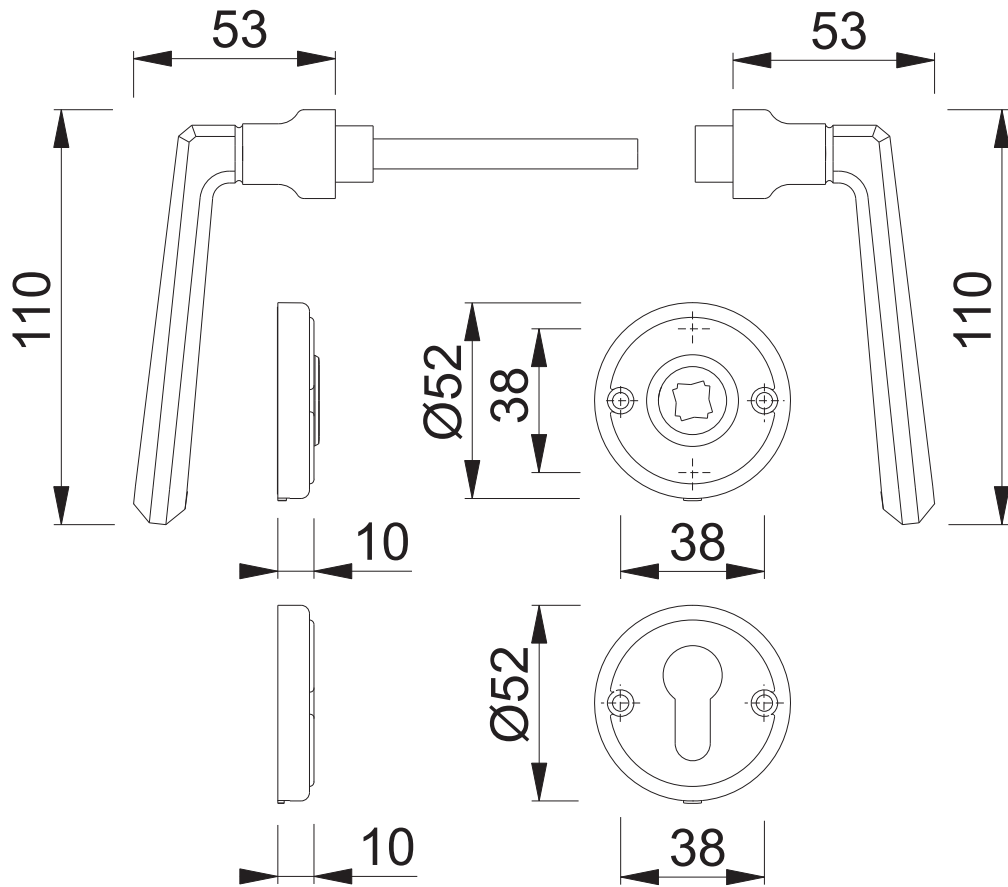



M159/15K-2/15KS-2 PZ (lose)



Maßstab 1:2	Name Waldner T.	Datum 27.01.06	Zchngs.Nr: QU=c0022086z005 E4 00	HOPPE® 
----------------	--------------------	-------------------	-------------------------------------	--