

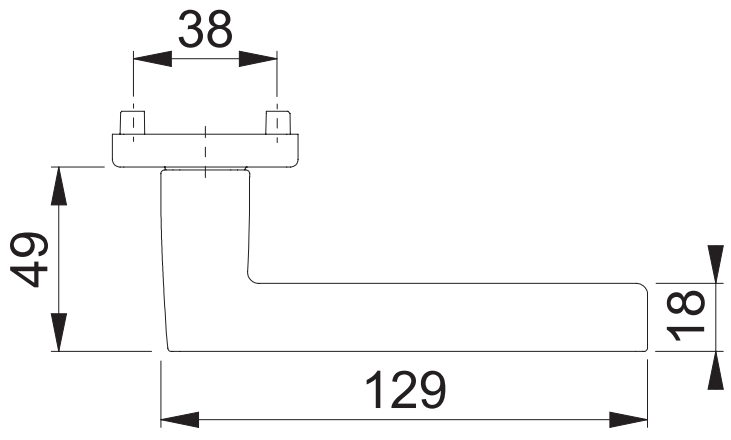
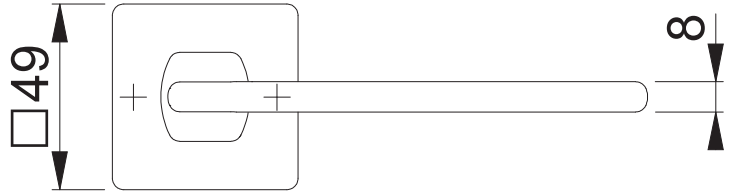
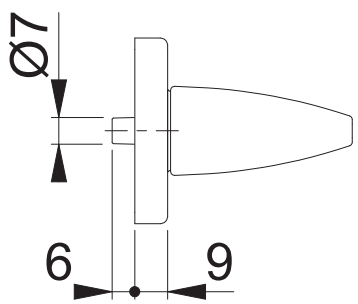
These documents are property of HOPPE AG, D-35260 Städtellendorf and are protected by both copyright and fair trade law. Any reproduction, reprint, copying, passing on to third parties and whichever use of these documents or parts thereof is prohibited, except with prior written consent of HOPPE.

These documents are property of HOPPE AG, D-35260 Städtellendorf and are protected by both copyright and fair trade law. Any reproduction, reprint, copying, passing on to third parties and whichever use of these documents or parts thereof is prohibited, except with prior written consent of HOPPE.

Copyright © HOPPE AG

M1628/843KV

Bearbeitet / Datum
HHA/18.01.22



Maßstab 1:2	Name SST	Datum 17.01.2022	Zeichnungsnummer / Quelle c0022988z003	A4 00
----------------	-------------	---------------------	---	-------

Artikel-Schriftfeld-CAD
M1628/843KV/843KVS/843KVS/843KV/1628 MSK821/MOL45

